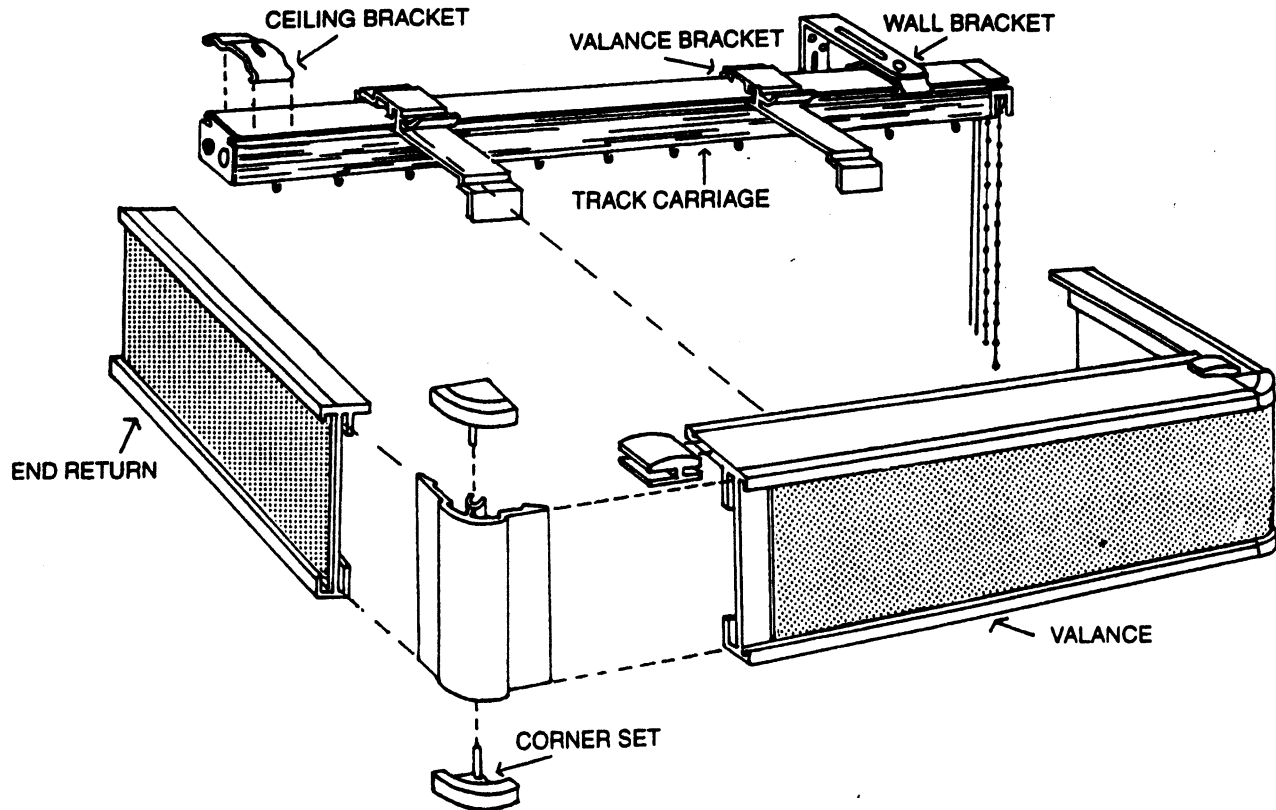


HOW TO INSTALL fashion VERTICALS by HOME-tex fashions Inc.

DELUXE SYSTEM

THANK YOU FOR CHOOSING HOME-TEX FASHION VERTICALS. PLEASE READ THE INSTALLATION INSTRUCTIONS CAREFULLY AND THOROUGHLY BEFORE BEGINNING INSTALLATION.

DEFINITION: THE FINISHED LENGTH - IS FROM THE TOP OF THE TRACK TO THE BOTTOM OF THE VANES.
THE FINISHED WIDTH - IS THE EXACT WIDTH OF THE TRACK.



BRACKET INSTALLATION - You have been provided with either ceiling brackets or wall brackets for your installation. Space the brackets evenly apart with one bracket no further than 4" from each end of the track. For installations other than into wood or metal, the use of anchor plugs is recommended.

CEILING INSTALLATION: Secure each bracket with a single screw directly into the ceiling. The top slot allows for adjustment to give a perfect fit. The screw hole should be a minimum of 2 1/2" from the wall or the nearest obstruction so that the vanes will hang freely. The track snaps easily into the brackets.

WALL INSTALLATION: Secure each bracket to the wall so that the top of the bracket is at least 1" higher than the finished length of the blind (ie., if the blind is 84" finished length - measure so that the top of the bracket is 85" from the floor). The vanes will clear the floor by approximately 5/8" - this is the minimum clearance recommended. Then snap the track into the brackets.

VANE INSTALLATION: Hang the vanes with the track carriages all uniformly in the open position.

VALANCE INSTALLATION

WALL INSTALLED: Evenly space and snap the valance brackets to the vertical track. Once the valance has been assembled, snap the valance into each valance bracket (see diagram).

CEILING INSTALLED: Evenly space and snap the valance clip to the vertical track prior to installing the track at the ceiling. Once the valance is assembled, snap the valance into each valance bracket (see diagram).

WEIGHT AND CHAIN ASSEMBLY

